

lovencare™



**Instructions for Techno Highchair
BP 889**

info@lovencare.com.au

www.lovencare.com.au



Congratulations on your new quality Love N Care product from our exclusive range of baby products. This exceptional design combines the most unique features that any baby product offers.

We are confident that you will appreciate its many highlights, including its reliability and durability. Your new product has been manufactured to comply with the Highest Quality Standards and comes with a 12-month warranty.

As you will soon learn there are many more great features about your new Love N Care product.

Maximum weight capacity of Techno Highchair should not exceed 22KG

Safety guidelines and instructions must always be followed before making use of this product, please retain these instructions for future reference:

WARNING:

- To prevent serious injury or death ensure harness is always secured around child.
- Do not use the highchair without the tray
- Make sure your child is clear of any moving parts when adjusting the highchair
- Do not leave child unattended in the highchair.
- Do not lift the highchair when child is in it.
- Before placing your child in the highchair ensure that the height locks are fully engaged and the seat is secure.

- Care should be taken while folding and unfolding highchair to prevent finger entrapment.
- Basket maximum weight should not exceed 5kg.
- Always prevent other children from playing around the highchair when it is in use.
- Always keep the highchair a good distance away from electrical cords and hot appliances.
- Discontinue use of the highchair should it become damaged.
- Missing parts and damaged parts should be replaced immediately to prevent any injuries.

CARE AND MAINTENANCE:

To ensure your Highchair lasts a long time you must maintain it .To maintain the Highchair follow the below steps:

- The frame can be washed with soap and warm water, do not use bleach.
- The seat can be wiped down with a dry cloth using soapy warm water.

The following items should be found with your new purchase:

- 1 Frame
- 4 Castors
- 1 Seat
- 2 Trays
- 1 Basket

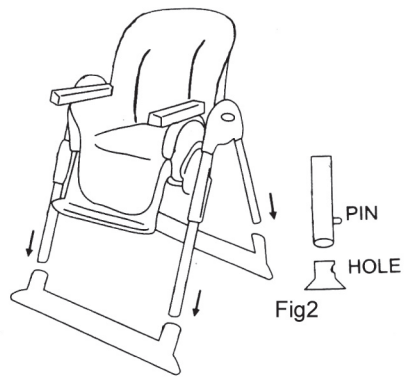
To Open The Highchair:

- Whilst standing behind the highchair press together the two red buttons located on the rear legs and slowly push out to open and release the chair. (As shown in Fig 1)



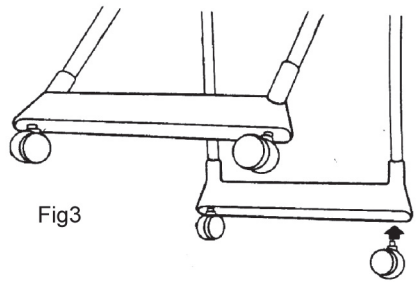
Attaching the Leg Frames:

- Insert the legs into the base holes, making sure the pins are fixed into the leg holes as picture.(As shown in Fig 2)



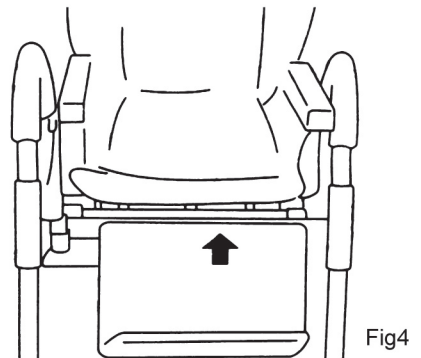
Attaching the Wheels:

- Insert the wheels into bottom of base, ensuring they click in. The front wheels without brake and the back wheels with brake.(As shown in Fig 3)



Attaching the Footrest:

- Starting from the left insert the footrest ,then insert the other side of the footrest on the right; continue simultaneously left to right until the footrest in inserted completely.(As shown in Fig 4)



Attaching & Operating the Tray:

- Pull the lever located under the bottom front of tray out and slide on to arms of high chair to your desired position.

- The tray has a three position adjustment mechanism. Ensure the tray is securely attached before use.
- The tray can also be removed and hanged up on the red buttons located on the rear legs.(As shown in Fig 5)



Double Tray System:

- Your highchair is equipped with 2 trays for your convenience, to remove the top tray simply hold and lift up the clips ,to reattach simply place back on top of bottom tray.(As shown in Fig 6)



To Attach the Seat Axle:

- Place the silver rod in holes from right to left under the seat.
- At the left end secure then axel by placing the clear clip with clip legs facing the chair, then secure the cap over the top to seal the rod.(As shown in Fig 7)



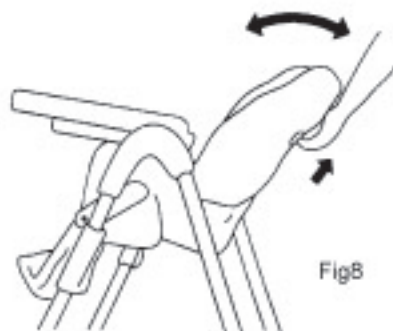
HOLE FOR CONNECTING BAR
INSERT AXLE THROUGH HERE
ENSURE SEAT IS ALINED WITH AXLE

To Attach the Basket:

- Hook the side clips of basket around the silver rivet on side of seat ,then wrap the front clips around the pole under the seat and securely attach the press studs together.

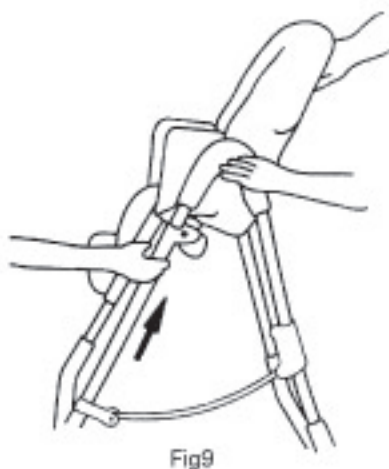
To Recline the Backrest:

- Pull the backrest adjustment lever upwards or down to your required position.
- The Techno highchair has 3-position backrest.(As shown in Fig 8)



To Adjust The Highchair:

- Stand front of the highchair, press the two red buttons found under the seat at the same time and raise or lower the seat to your desired position, release the buttons to secure the seat at your required height.(As shown in Fig 9)



To Fold the Chair:

- Unfasten the restrain harness and remove your child from the highchair.
- Remove the tray and hang it up on the rear of the chair.
- Stand behind the highchair press the two red buttons found on either side of rear legs and push the chair forward until an audible click is heard to indicate that the highchair is secured in the closed position.
(As shown in Fig 10-1 & 10-2)



Fig10-1



Fig10-2

loveⁿcare[®]

Another reliable product from Love N Care
Excellence ♥ Intelligence ♥ Caring

Contact Us :

1300 732 599