

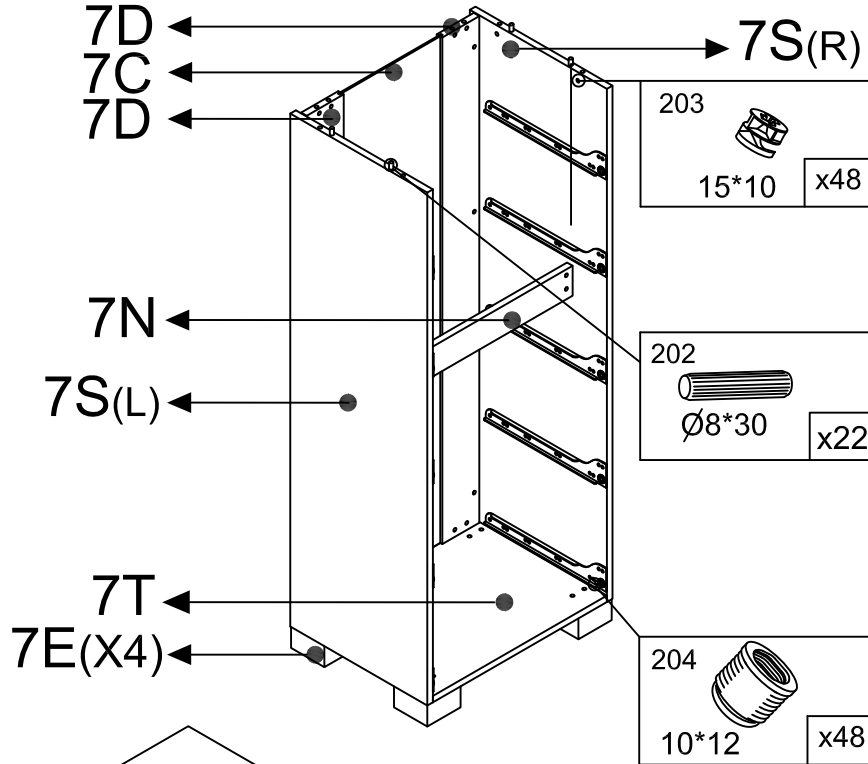
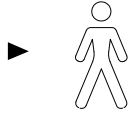
BORDEAUX ASH Tall Boy Instructions

ASH7165:7S,7C,7D
ASH7265:7A,7G,7K,7T,
7E,7F,7N

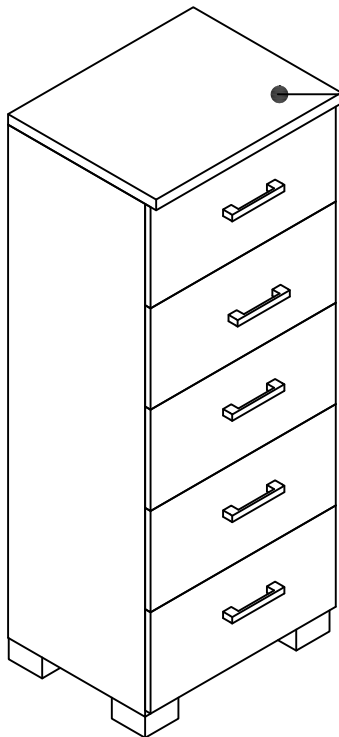
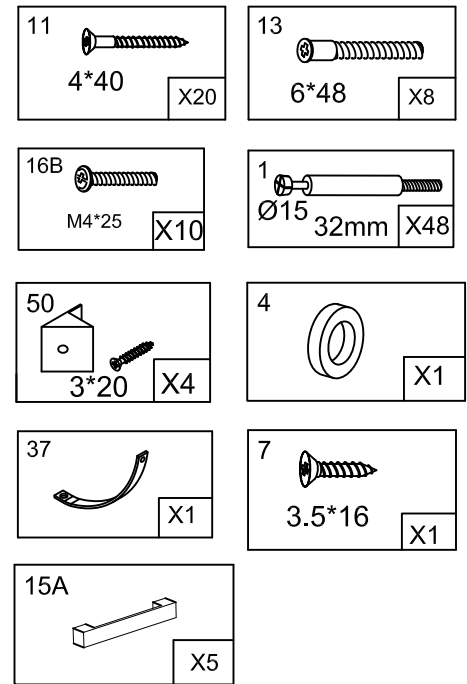
CH140ASH: AUS

IMPORTANT. RETAIN FOR FUTURE REFERENCE.
READ CAREFULLY

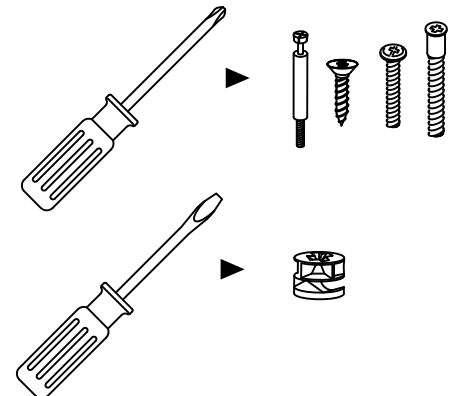
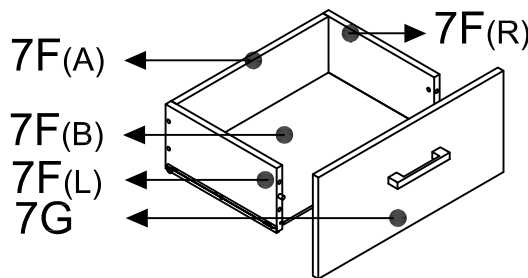
60 MIN



7K

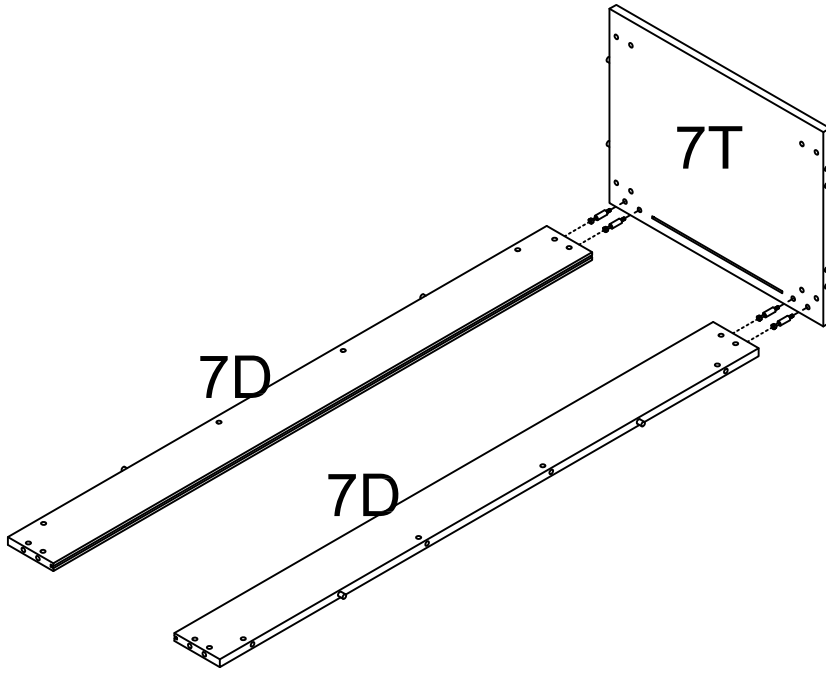


7A



1
Ø15 32mm X4

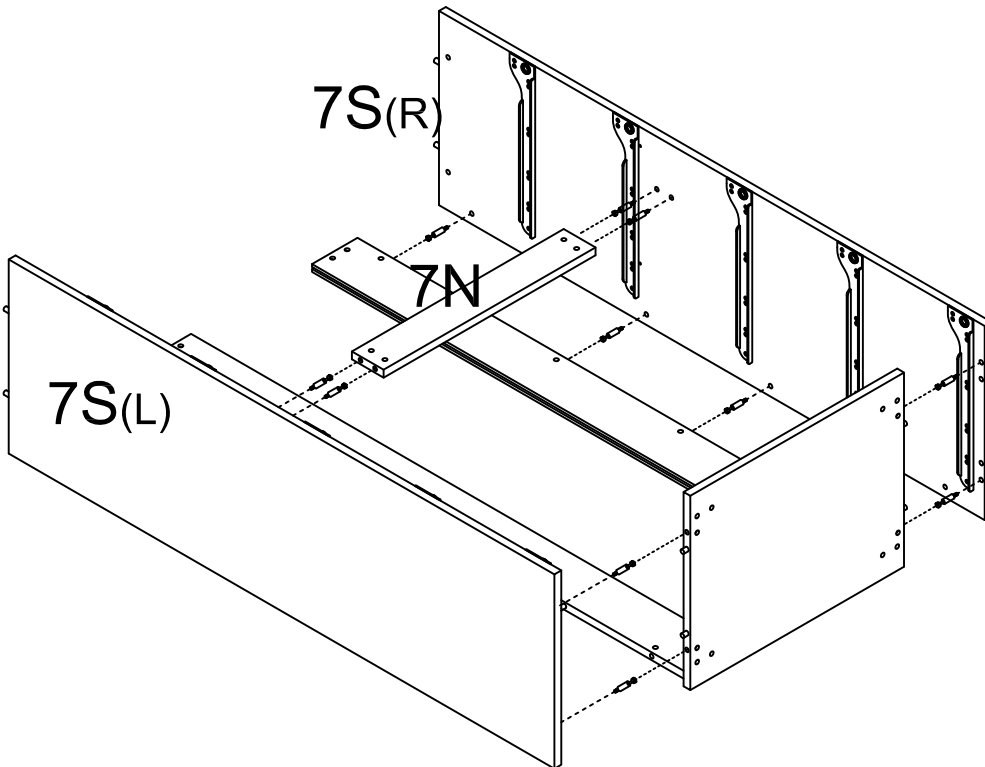
7D(X2)
7T



1

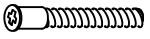
1
Ø15 32mm X16

7S(L)
7S(R)
7N



2

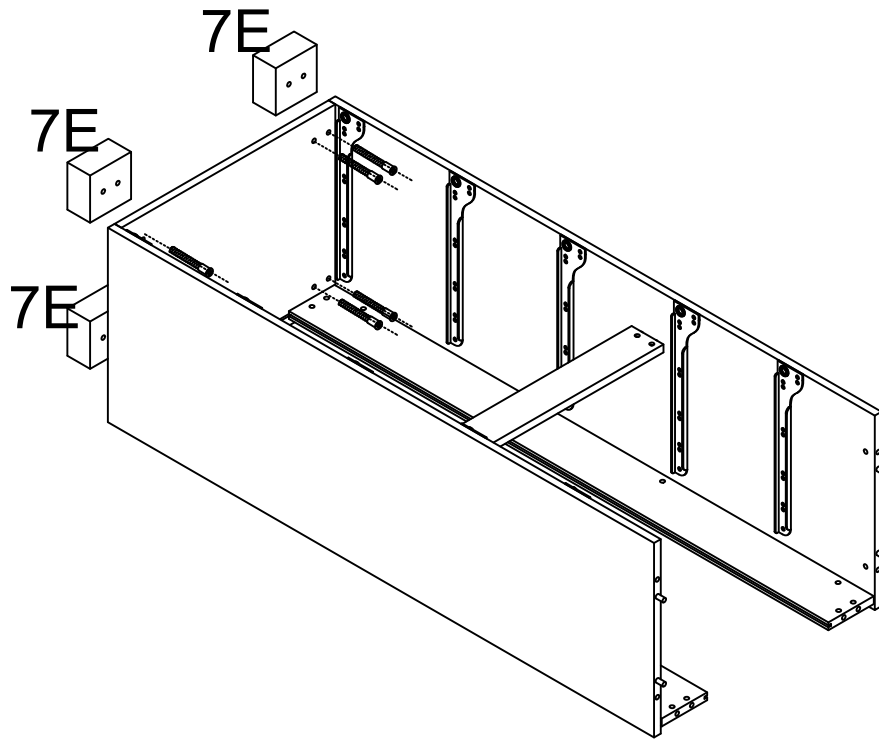
13



6*48

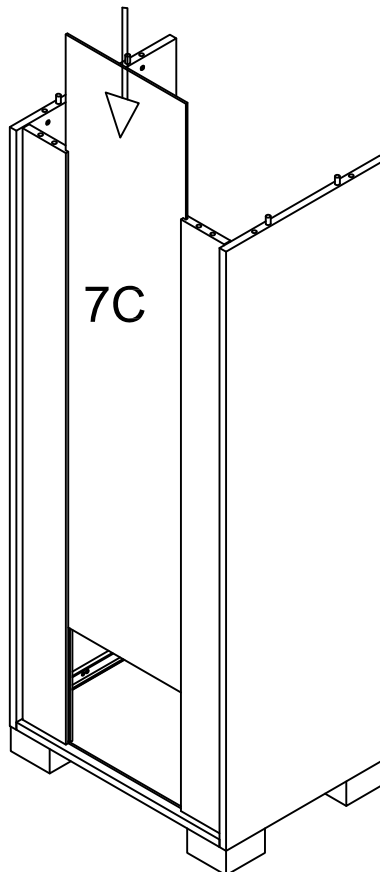
X8

7E(X4)

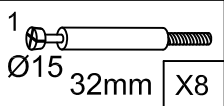


3

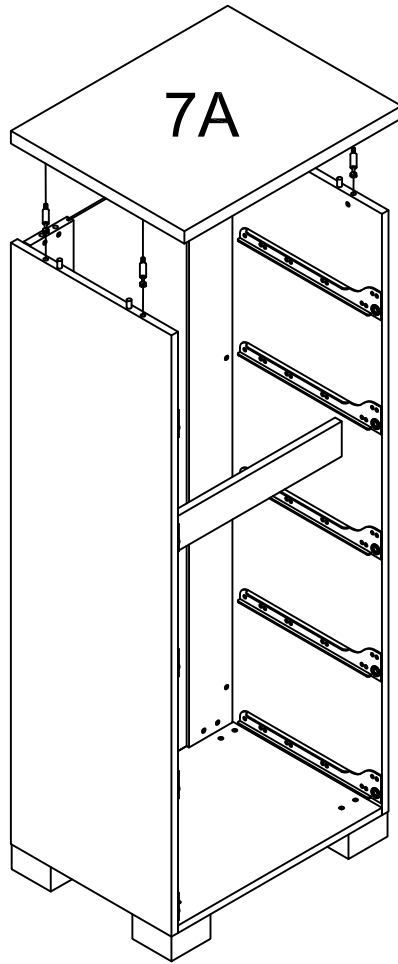
7C



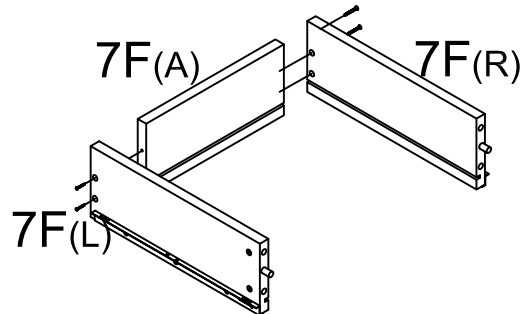
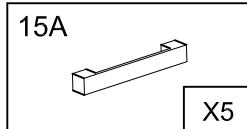
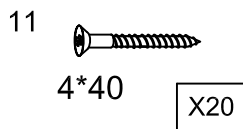
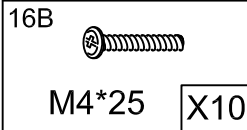
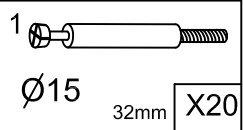
4



7A

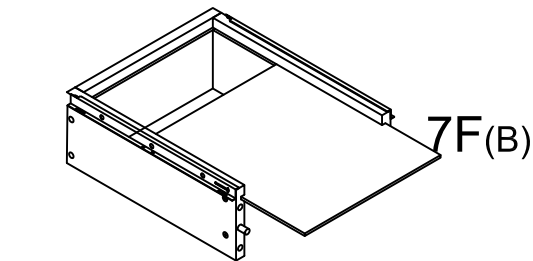


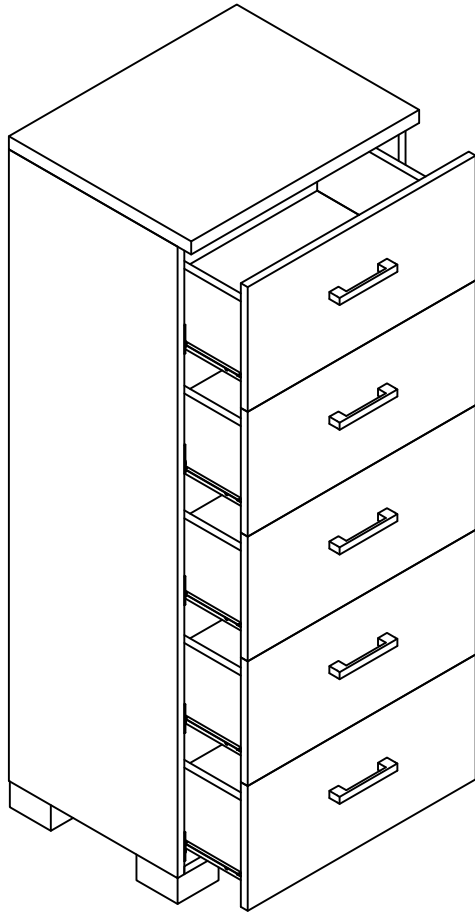
5



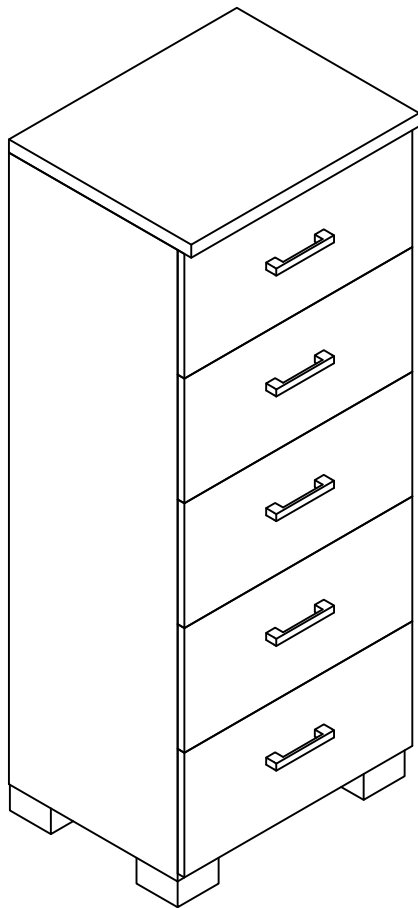
6(X5)

7F(A)
7F(B)
7F(L)
7F(R)
7G

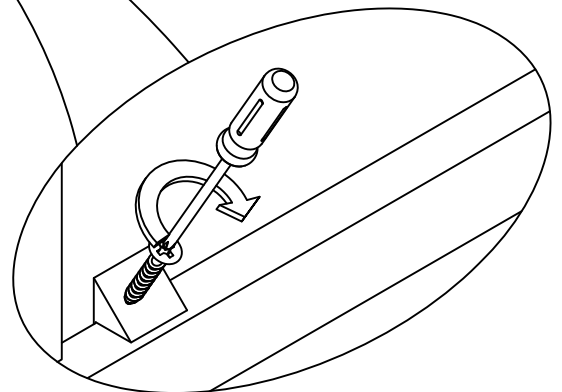
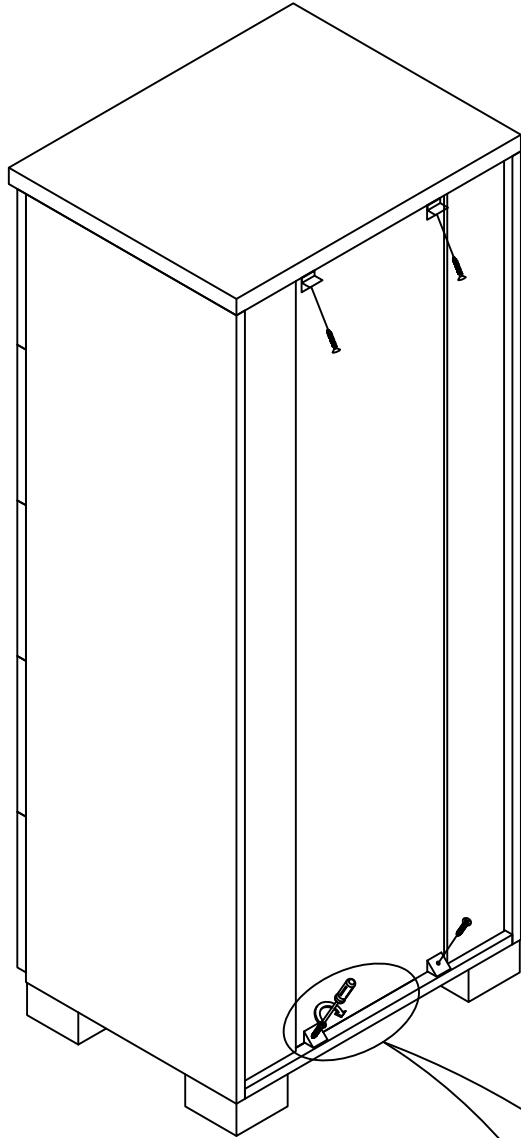
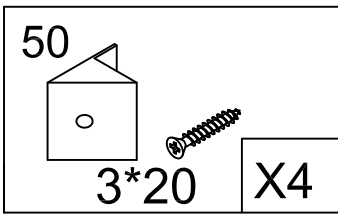




7



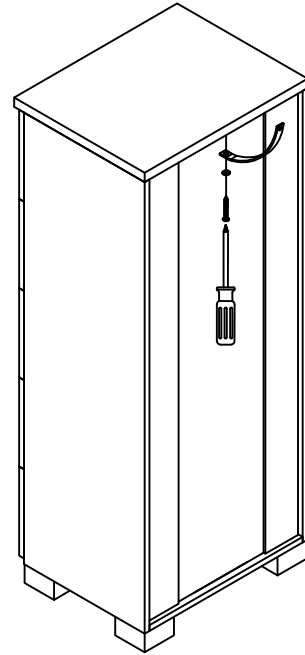
8



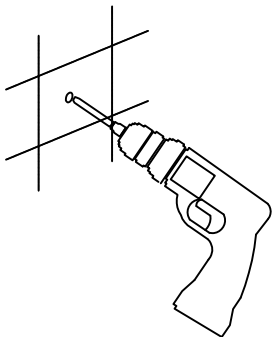
Safety belts

The stability and strength of this product have been tested extensively. In spite of taking good care of your child's behaviour; the child should not be climbing into or hanging on the product. This could be dangerous, especially when the drawers and doors are open. To guarantee the safety of your child as much as possible you must fit the included safety belts according to the assembling instructions; ensuring that the fastenings used are appropriate to the wall type.

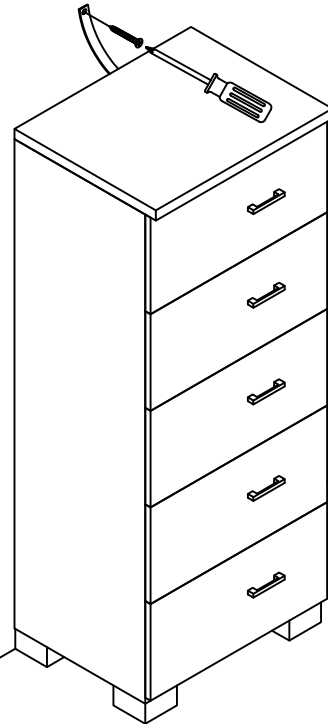
1



2 ▷



3



LOVE N CARE WARRANTY AGAINST DEFECTS

All Love N Care products are guaranteed for twelve months from the date of purchase. Our goods come with guarantees that cannot be excluded under the Australian Consumer Law. You are entitled to a replacement or refund for a major failure and for compensation for any other reasonably foreseeable loss or damage. you are also entitled to have the goods repaired or replaced if the goods fail to be of acceptable quality and the failure does not amount to a major failure. This covers against faults which develop through faulty materials and workmanship. Misuse, accidental damages, normal wear and tear or neglect are not covered. If a fault becomes apparent, please return the item to the store of purchase with your receipt. You must inform the store what the defect is. We will then arrange for its repair or it will be assessed for replacement as expediently as possible. The benefits of this warranty are in addition to other right and remedies under the law in relation to the goods or services to which this warranty relates. If you are unable to return the item to the store of purchase, you can contact Love N Care on free call 1300 732 599.

Where you send the product directly to the manufacturer then you may be liable for the costs of transportation to and from Love N Care. Love N Care will meet the reasonable expenses incurred by a consumer in a making a warranty claim. You can claim expenses incurred in making a claim by contacting our customer service team on 1300 732 599 or by email at info@lovencare.com.au